

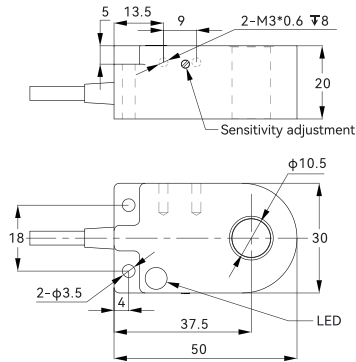


Appearance				
Housing size	H10	H15	H21	H43
Hole diameter	10.5mm	15.5mm	22.5mm	43.5mm
Hole height	20mm			
Housing material	ABS			
Operating voltage	10~30V DC(Ripple < 10%)			
Voltage drop	< 1.5V			
Load Current, Max	150mA			
Current consumption	< 15mA			
Leakage current	< 10mA			
Switch frequency	2KHz	1.5KHz	1KHz	500Hz
Min.detectable object	D=2.5mm; L=4mm	D=3mm; L=6mm	D=6mm; L=12mm	D=9mm; L=18mm
Repeat accuracy	< 2.0%(Sr)			
Hysteresis	< 15%(Sr)			
Sensing surface material	PBT			
Operating Temperature	-25°C~+75°C			
Protective circuit	Short circuit; Reverse polarity			
Degree of protection	IP67			
Model No.	TH10-20	TH15-20	TH21-20	TH43-20
	:NPN Normally open	:NPN Normally closed	:PNP Normally open	:PNP Normally closed

Dimensions (Unit:mm)

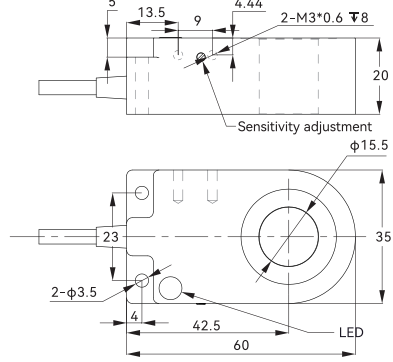
H10

TH10-20



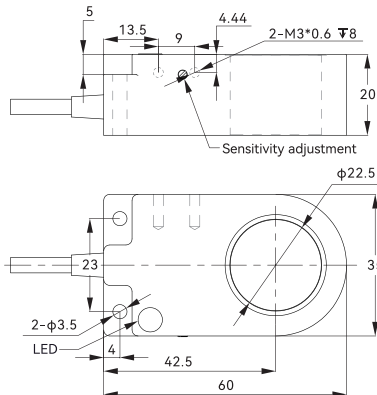
H15

TH15-20



H21

TH21-20



H43

TH43-20

