



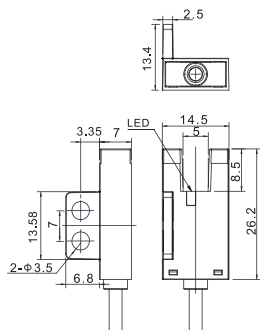


Appearance							
Shape	F Shape	T Shape	R Shape	L Shape	K Shape	Y Shape	
Sensing distance	5mm (Slot width)						
Standard sensing object	Opaque objects (Size: 1.2*1.8mm)						
Repeat accuracy	< 0.03mm						
Output type	NPN or PNP open-collector						
Switch type	Selectable L.on/D.on						
Indicator	Red LED						
Response frequency	3KHz						
Response time	≤0.3ms						
Light source	Infrared LED (940nm)						
Operating voltage	5~24V DC						
Voltage drop	< 1.5V (load current 100mA, 2m cable length)						
Current consumption	< 20mA						
Protective circuit	Surge protection, Reverse polarity protection						
Ambient temperature	Operation: -25°C~+55°C, Storage: -30°C~+80°C, no freezing						
Ambient humidity	Operation: 5%~85%, Storage: 5%~95%, no condensation						
Ambient brightness	Incandescent lamp ≤1000Lux						
Degree of protection	IP50						
Material	PC						
Connection method	2M 4core cable						
NPN	Light on when objects are detected	SF-302N-W	ST-303N-W HOT	SR-304N-W	SL-305N-W HOT	SK-306N-W	SY-307N-W HOT
	Light off when objects are detected	SF-302NA-W	ST-303NA-W HOT	SR-304NA-W	SL-305NA-W HOT	SK-306NA-W	SY-307NA-W HOT
PNP	Light on when objects are detected	SF-302P-W	ST-303P-W	SR-304P-W	SL-305P-W	SK-306P-W	SY-307P-W
	Light off when objects are detected	SF-302PA-W	ST-303PA-W	SR-304PA-W	SL-305PA-W	SK-306PA-W	SY-307PA-W

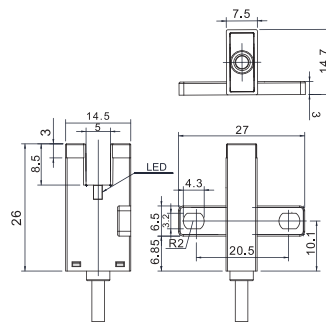
Dimensions

Unit: mm

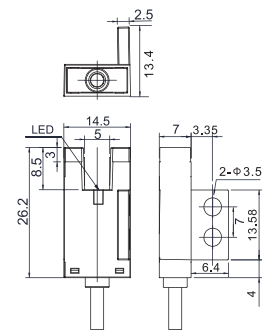
F Shape



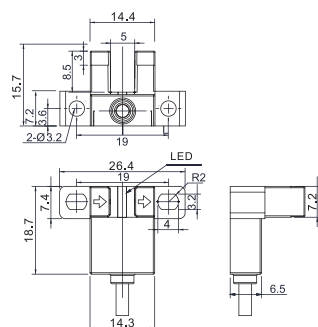
T Shape



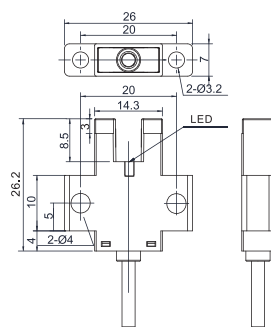
R Shape



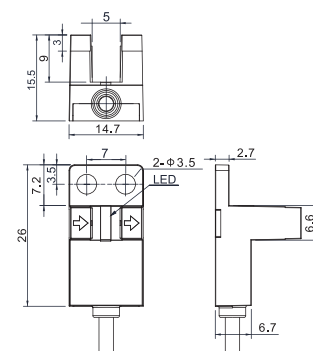
L Shape



K Shape



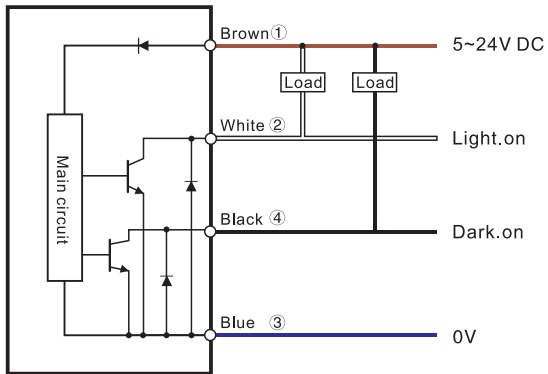
Y Shape



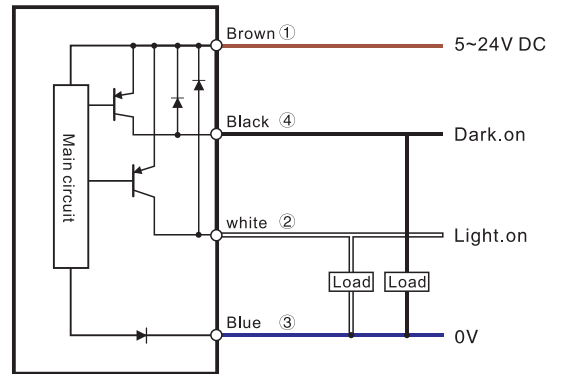
Slot Type

Circuit diagram



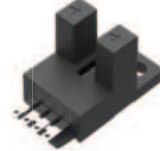
NPN



PNP



Slot Type

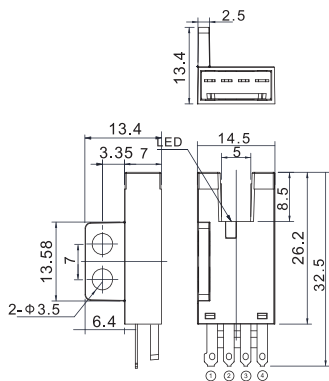
Appearance							
Shape	F Shape	T Shape	R Shape	L Shape	K Shape	Y Shape	
Sensing distance	5mm (Slot width)						
Standard sensing objects	Opaque objects (Size:1.2*1.8mm)						
Repeat accuracy	< 0.03mm						
Output type	NPN or PNP open-collector						
Switch type	Selectable L.on/D.on						
Indicator	Red LED						
Response frequency	3KHz						
Response time	≤0.3ms						
Light source	Infrared LED(940nm)						
Operating voltage	5~24V DC						
Voltage drop	0.2V or less (load current 10mA), 1.5V or less (load current 100mA)						
Current consumption	<20mA						
Protective circuit	Surge protection , Reverse polarity protection						
Ambient temperature	Operation: -25°C~+55°C, Storage: -30°C~+80°C, no freezing						
Ambient humidity	Operation: 5%~85%, Storage: 5%~95%, no condensation						
Ambient brightness	Incandescent lamp ≤1000Lux						
Withstand voltage	AC, 1000V 1 minute between all supply terminals connected to the housing						
Vibration resistance	10 to 55 Hz with 1.5mm amplitude for 2 hours each in X, Y, and Z directions						
Insulation resistance	Between all supply terminals connected with the housing, 20M Ω or more (based DC250V)						
Degree of protection	IP50						
Material	PC						
Connection method	Connector						
NPN	Light on when objects are detected	SF-302N-E	ST-303N-E HOT	SR-304N-E	SL-305N-E HOT	SK-306N-E	SY-307N-E HOT
	Light off when objects are detected	SF-302NA-E	ST-303NA-E HOT	SR-304NA-E	SL-305NA-E HOT	SK-306NA-E	SY-307NA-E HOT
PNP	Light on when objects are detected	SF-302P-E	ST-303P-E	SR-304P-E	SL-305P-E	SK-306P-E	SY-307P-E
	Light off when objects are detected	SF-302PA-E	ST-303PA-E	SR-304PA-E	SL-305PA-E	SK-306PA-E	SY-307PA-E

Cable: ME-1007 (P:M-08)

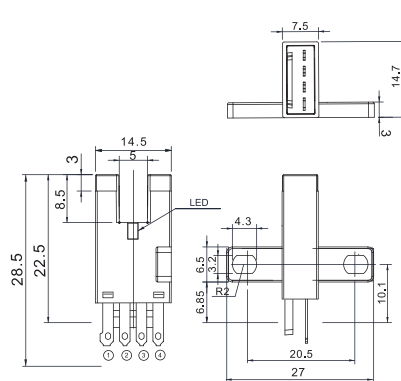
Dimensions

Unit: mm

F Shape



T Shape



R Shape

