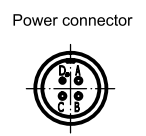
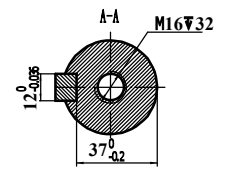
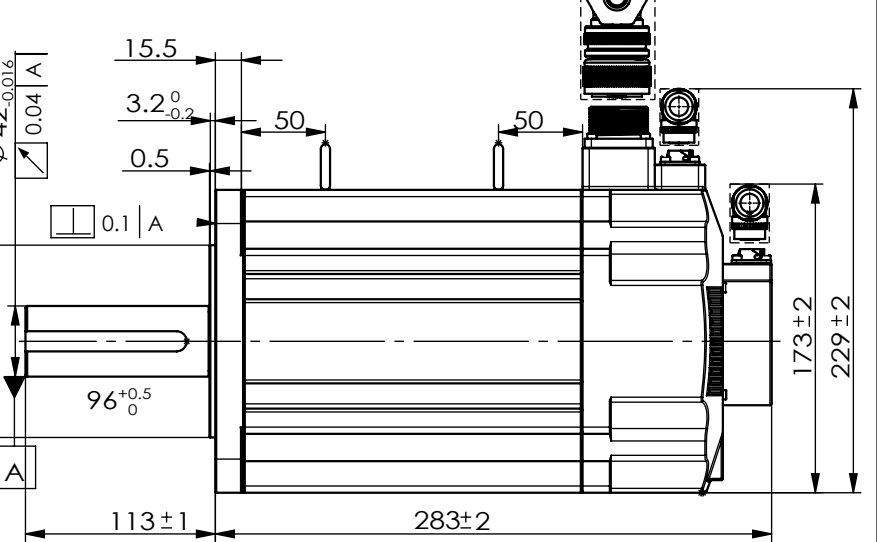
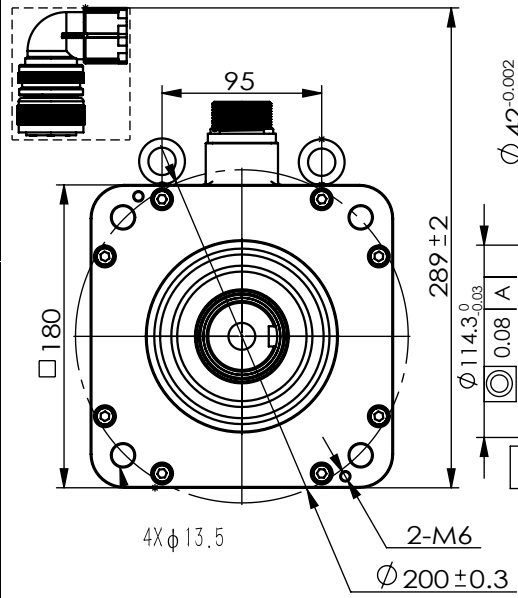
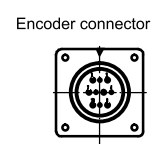


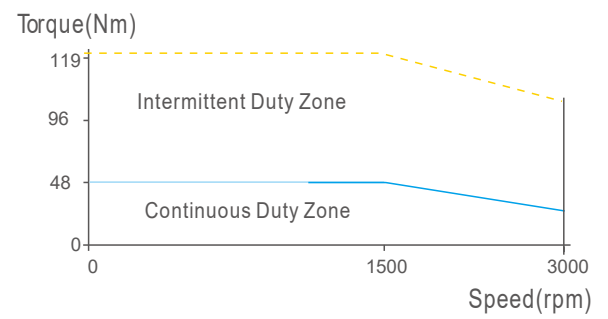
Rated Voltage (Vac)	400
Rated Power (w)	7500
Rated Torque (N.m)	48
Peak Torque (N.m)	119
Rated Speed (rpm)	1500
Peak Speed (rpm)	3000
Rated Current (Amp)	25.7
Peak Current (Amp)	64
Torque Const (N.m/Amp)	1.86
Back EMF Const (V/krpm)	123
Resistance (Ω)	0.16
Inductance (mH)	4.3
Inertia (kg*m <sup>2</sup> *10 <sup>-4</sup> )	99.45
Poles	10
Encoder type	23bit optical
IP rating	IP65
Mass (Kg)	32



Pos	A	B	C	D
Signal	U	V	W	PE
Color	red	yellow	blue	Yel/Gre



Pos	1	2	3	4	5	6	7	8	9	10
Signal	/	5V	0V	SD+	SD-	E+	E-	/	/	PE
Color	/	red	black	blue	yellow	brown	white	/	/	shield



**GMT**CNT

**S2M180F7500XH**

180 mm, medium inertia, 7500w servo motor  
23bit optical encoder, no brake  
MS10