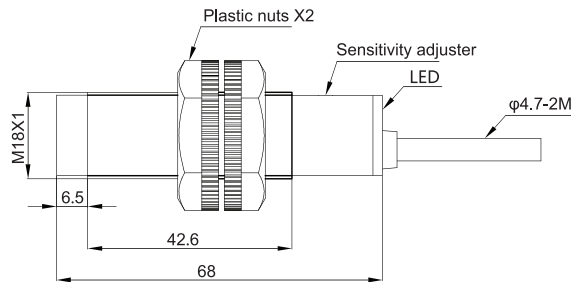


## PXM18 Series



Appearance		
Sensing type	Diffuse reflection	
Sensing distance	10cm(fixed)	40cm(fixed)
Hysteresis	≤10%	
Repeat accuracy	5%	
Output type	NPN/PNP Open-collector	
Switch type	Selectable L.on/D.on	
Response frequency	250Hz	
Indicator	Red LED(660nm)	Red LED(880nm)
Operating voltage	10~30V DC(±10%)	
Voltage drop	2V max 1L=100mA	
Leakage current	1 μA	
Current consumption	30mA	
Load current	100mA	
Protective circuit	Reverse polarity protection, output short circuit protection, pulse overvoltage protection	
Ambient temperature	-25°C~+70°C, No freezing	
Ambient brightness	Sunlight ≤10000 lux, Incandescent lamp ≤3000 lux	
Degree of protection	IP67	
Tightening torque	1Nm	
Material	Housing: PBT, Lens: PC	
Weight	≈50g	
Connection method	2M 4core cable	
Model No.	NPN PNP	PXM18-D10N PXM18-D10P
		PXM18-D40N PXM18-D40P

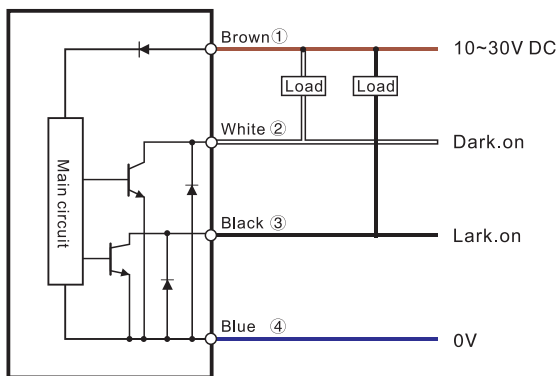
### Dimensions



Unit: mm

### Circuit diagram

#### NPN Output



#### PNP Output

