

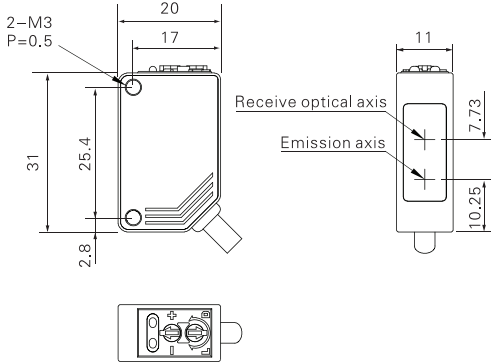


Wide Facula Type
NEW!

Appearance				
Sensing type	Disffuse refection			
Sensing distance	20cm	10cm	20cm	
Spot diameter	130*130mm/20cm	-	-	
Output type	NPN / PNP open collector			
Switch Type	L.on /D.on selectable			
Indicator	Operation indicator: Green, Motion indicator: Red			
Response time	1ms			
Sensitivity	Single-turn potentiometer			
Light source	Red LED 623nm (modulation)	Infrared LED 940nm (modulation)		
Operating voltage	10~30V DC			
Current consumption	≤20mA			
Ambient light	Sunlight ≤10000Lux, Incandescent lamp ≤3000Lux			
Ambient temperature	-25°C ~ +55°C, No freezing			
Ambient humidity	35%~85%RH, No condensation			
Anti-vibration	10 to 50 Hz with 0.5mm amplitude for 2 hours each in X, Y, and Z directions			
Protection circuits	Power reverse polarity protection, output reverse polarity protection, surge protection, short circuit protection			
Degree of protection	IP65			
Connection	2M / 3 wire cable 4mm diameter			
Material	PBT+Fiberglass (body), PMMA(window)			
Accessories	Screwdriver			
Model No.	NPN PNP	PTEW-D20N PTEW-D20P	PTVW-D10N PTVW-D10P	PTVW-D20N PTVW-D20P

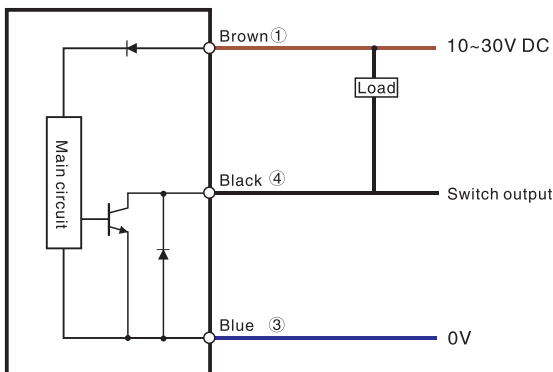
Dimensions

Unit: mm



Circuit diagram

NPN Output



PNP Output

