

TOF Type Photoelectric

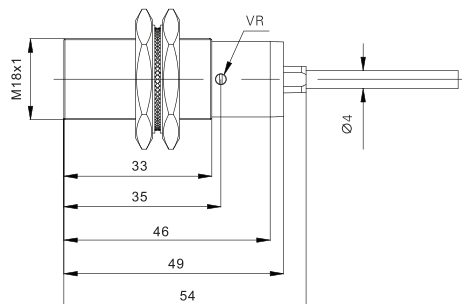
PM18-TF Series



TOF Principle
NEW!

| | |
|-----------------------|---|
| Appearance | |
| Sensing type | Reflection |
| Sensing distance | 1.2m |
| Spot divergence angle | 30° |
| Output | NPN / PNP open collector |
| Switch mode | L.on/ D.on selectable |
| Indicator | Operation: green, Motion: Red |
| Sensitivity | multi-turn adjuster |
| Light source | Laser 940nm (Modulated), class 1 |
| Operating voltage | 10~30V DC |
| Volatge drop | < 1.5V |
| Current consumption | ≤20mA |
| Load current | ≤100mA |
| Protective Circuit | Short circuit,reverse polarity,surge protection |
| Ambient temperature | 10°C~50°C No freezing |
| Ambient humidity | 35~85% RH, No condensation |
| Withstand voltage | ± 1000V 50/60Hz 60s |
| Static electricity | ± 8000V (air discharge) |
| Group pulse | ± 2000V (5kHz/50kHz) |
| Impact resistance | 10~55Hz amplitude 1.5mm;X,Y,Z 3 directions,2 hours each |
| Ambient light | Incandescent lamp: <3,000 lux, Sunlight < 5,000 lux |
| Degree of protection | IP67 |
| Material | Nickel-copper alloy |
| Connection | 2M 3-core cable |
| Accessories | Mounting screws |
| Model No. | NPN PM18-TF120N PNP PM18-TF120P |

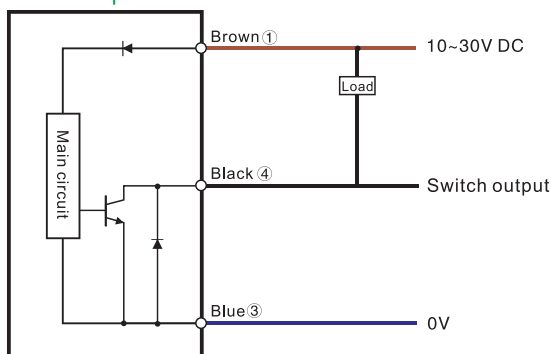
Dimensions



Unit: mm

Circuit diagram

NPN Output



PNP Output

