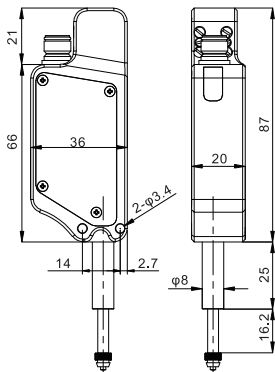


Appearance				
Detection principle	Scale pulse system (absolute value type)			
Measuring range	15mm	35mm	55mm	
Resolution	0.1 μm	0.5 μm	1.0 μm	
Repeat accuracy	± 2 μm	± 2 μm	± 3 μm	
Operating Voltage	12V (No analog output) 15V (Analog output)			
Indicator light	2-color LED (red, green)			
Degree of protection	IP50			
Ambient humidity	(-10°C~+50°C)			
Power consumption	0.75W			
Logic output	NPN 100mA Max; 40V Max			
Analog output	4-20mA (Loaded by 50 Ω)/0-10V			
Material	Aluminum			
Communication Interface	Rs485 and SSI or RS232			
Weight	≈ 110g	≈ 150g	≈ 180g	
Model No.	12V Voltage Type	MR-DT-L15- <small>485: RS485&SSI Output 232: RS232 Output</small>	MR-DT-L35- <small>485: RS485&SSI Output 232: RS232 Output</small>	MR-DT-L55- <small>485: RS485&SSI Output 232: RS232 Output</small>
	15V Voltage Type	MR-DT-H15- <small>A: Current output V: Voltage output 485: RS485&SSI Output 232: RS232 Output</small>	MR-DT-H35- <small>A: Current output V: Voltage output 485: RS485&SSI Output 232: RS232 Output</small>	MR-DT-H55- <small>A: Current output V: Voltage output 485: RS485&SSI Output 232: RS232 Output</small>

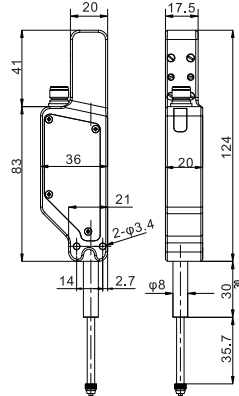
Dimensions

Unit: mm

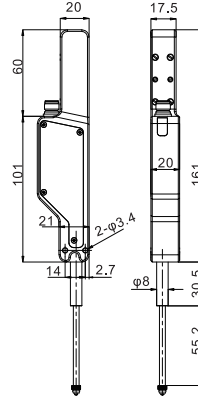
MR-DT-L/H15



MR-DT-L/H35

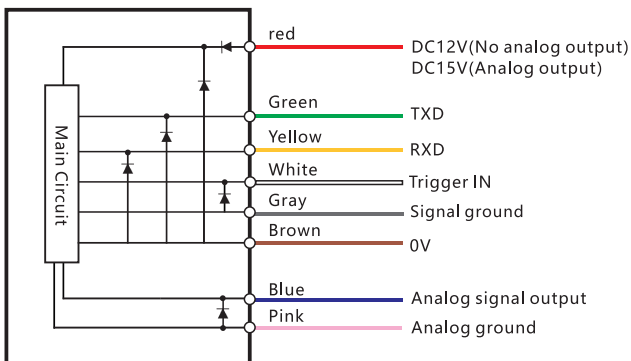


MR-DT-L/H55

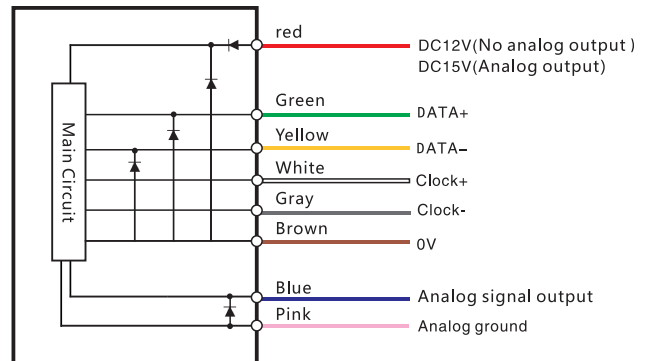


Circuit diagram

RS232



RS485-SSI



- Fiber Optic
- Slot Sensors
- Photoelectric
- Laser
- Proximity
- Displacement**
- Magnetic
- Contact
- Area
- Ultrasonic
- Vibration
- Temperature
- Cables
- Tester

Guidance

Displacement

- TOF measurement
- Mini digital display
- Built-in controller
- Linear measurement
- Magnetic displacement**
- LIDAR Scanner
- Color confocal