

TOF Measurement Type

MLD11 Series

TOF principle

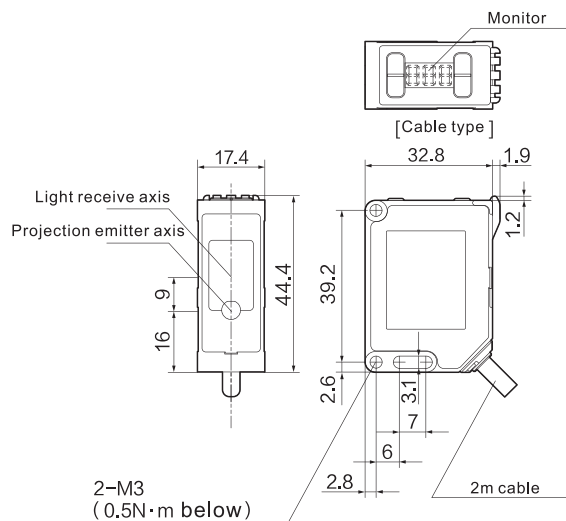


Appearance

Type	Analog output type	3CH switch output type	
Sensing type	Diffuse reflection		
Sensing distance	250~2500mm		
Light source	Medium. Wave length	Red semiconductor laser diode (wavelength: 650nm, maximum output power: 64mW, light-emitting pulse: 7ns, light-emitting period: 11.11MHz)	
	Average output power	Below 390 μw	
Laser class	Class1(IEC/JIS/FDA)		
Beam size	φ 10mm(when in 2.5m)		
Sampling period	below 200μs /0.5ms (When the average number of sampling is 1)		
Digital display	7-segment 3-digit LED		
Indicator	Output indicator: green	1 / 2CH output indicator: orange	
	Stability indicator: red	3CH indicator: green	
	Laser off indicator: light off	Stability indicator: red Laser off indicator: light off	
External input	Laser off control/external teach input can be switched		
Output	Analog current	4~20mA output, load resistance ≤ 300Ω	
	Analog voltage	0~10v output, output resistance 100Ω	
	Switch output	Open-connector output(NPN/PNP switchable); Max: 100mA/30V DC; Voltage drop: 1.8V	
Current consumption	12~30V DC ± 10%	10~30V DC ± 10%	
Operating current	≤60mA		
Voltage output	0~10v output, output resistance 100Ω		
Connection Type	φ 4.5mm / 2m cable		
Protective circuit	Reverse connection protection, over current protection		
Ambient parameters	Degree of protection	IP67	
	Ambient temperature	-10℃~+50℃, No freezing	
	Ambient humidity	35%~85% RH, No condensation	
	Ambient brightness	Sunlight≤20000Lux, Incandescent lamp≤3000Lux	
	Vibration resistance	10~55Hz Double amplitude 1.5mm, XYZ three directions, 2 hours each	
	Shock resistance	500m/s ² (Approx.50G), XYZ three directions 3 times each	
Material	Housing: PC, Lens: PMMA		
Weight	Cable type: ≈88g; Plug-in type: ≈48g		
Model No	MLD11-2500VA	MLD11-2500	

Dimensions

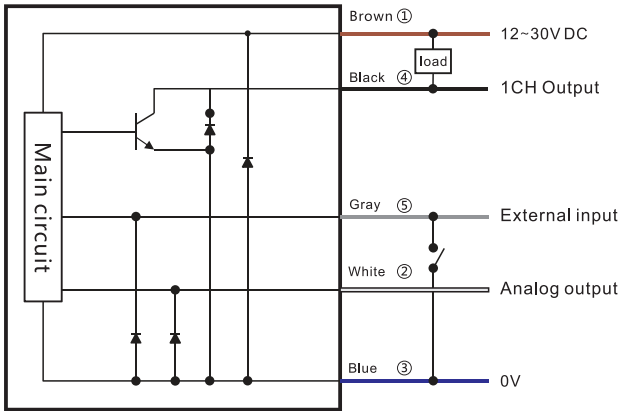
Unit: mm



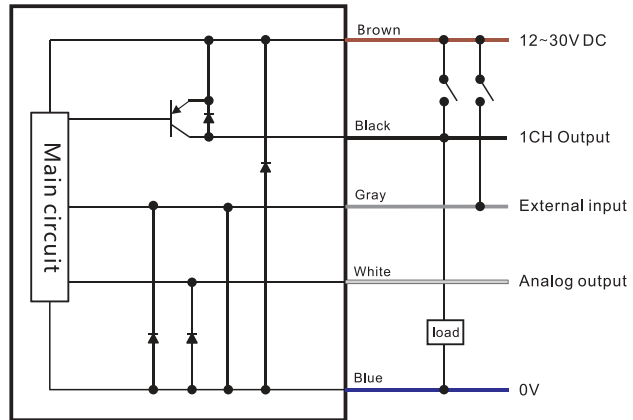
- Displacement
- Fiber Optic
- Slot Sensors
- Photoelectric
- Laser
- Proximity
- Displacement
- Magnetic
- Contact
- Area
- Ultrasonic
- Vibration
- Temperature
- Cables
- Tester
- Guidance
- Displacement
- TOF measurement
- Mini digital display
- Built-in controller
- Linear measurement
- Magnetic displacement
- LIDAR Scanner
- Color confocal

■ Analog output type

■ NPN

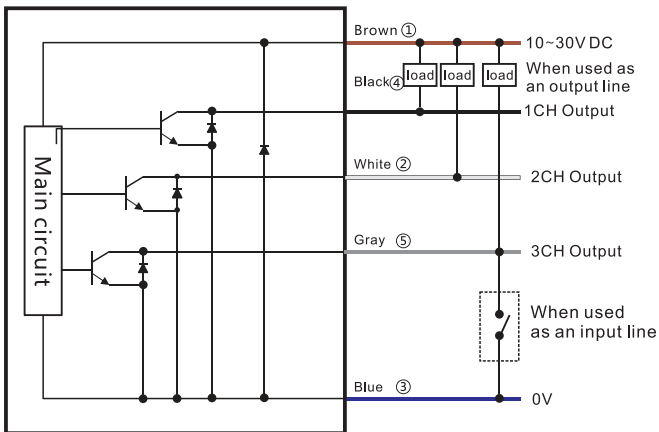


■ PNP

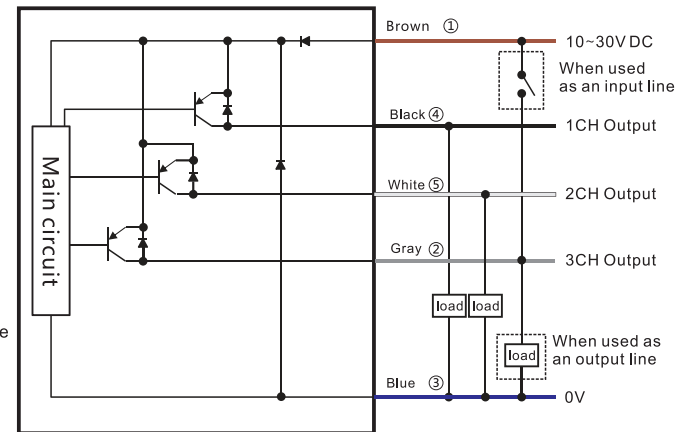


■ 3CH switch output type

■ NPN



■ PNP



Fiber Optic
Slot Sensors
Photoelectric
Laser
Proximity
Displacement
Magnetic
Contact
Area
Ultrasonic
Vision
Vibration
Temperature
Annexes

Guidance

Displacement
TOF measurement
Mini digital display
Built-in controller
Linear measurement
Magnetic displacement
LIDAR Scanner
Color confocal