

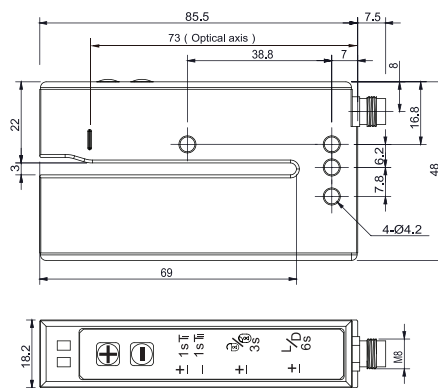
Label Detection

KUM Series



Appearance		
Sensing distance		3mm
Min length of label		2mm
Min gap of label		2mm
Slot depth		69mm
Slot width		3mm
Emitter		Ultrasonic
Max detection speed		180m/min
Repeat accuracy		± 0.20mm(120m/min)
Switch mode		Selectable L.on/D.on
Operating voltage		12~24V DC ± 10%
No-load current		45mA
Load current		100mA
Residual voltage		< 2V@1L=100mA
Response frequency		1500Hz
Response time		300 μs
Protection circuit		Output short circuit protection; Interference suppression
Operating temperature		-5~+55°C
Storage temperature		-20~+70°C
Degree of protection		IP65
Shell material		Aluminum
Connection method		M8 4-pin connector
Weight		130g
Mode	NPN	KUM08-0307N
	PNP	KUM08-0307P

Dimensions



Unit: mm

Circuit diagram

