



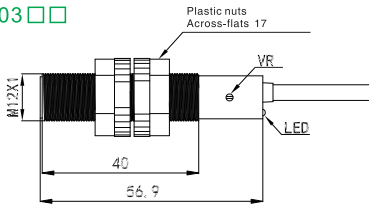
Appearance

Mounting	Shielded			Unshielded			
Housing size	M12	M18	M30	M12	M18	M30	
Sensing distance	1~3mm adjustable	2~8mm adjustable	2~20mm adjustable	1~6mm adjustable	2~15mm adjustable	2~30mm adjustable	
Housing material	PBT						
Operating voltage	10~30V DC (Ripple < 10%)						
Voltage drop	< 2V						
Load Current, Max	150mA	300mA		150mA	300mA		
Current consumption	< 10mA						
Leakage current	< 0.01mA						
Switch frequency	100Hz						
Repeat accuracy	< 5% (Sr)						
Hysteresis	< 15% (Sr)						
Sensing surface material	PBT						
Operating Temperature	-25°C~+75°C						
Protective circuit	Short circuit						
Degree of protection	IP67						
Model No.	NPN Normally open	CKF12-03 <b>NO</b>	CKF18-08 <b>NO</b>	CKF30-20 <b>NO</b>	CKN12-06 <b>NO</b>	CKN18-15 <b>NO</b>	CKN30-30 <b>NO</b>
Others	<b>NO</b> :NPN Normally open <b>NC</b> :NPN Normally closed <b>PO</b> :PNP Normally open <b>PC</b> :PNP Normally closed						

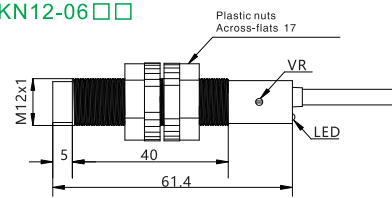
### Dimensions-Plastic Shells (Unit:mm)

M12

CKF12-03 □□

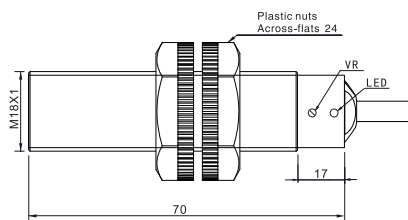


CKN12-06 □□

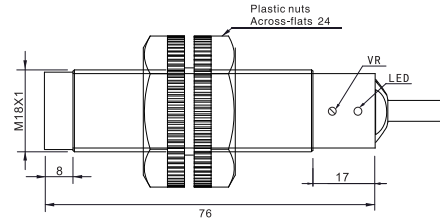


M18

CKF18-08 □□

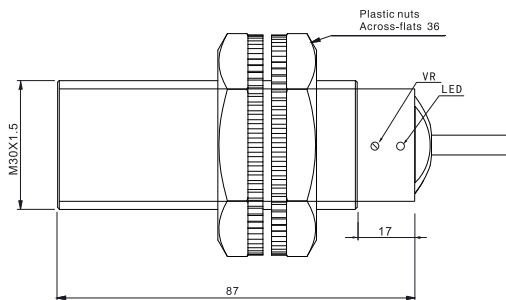


CKN18-15 □□



M30

CKF30-20 □□



CKN30-30 □□

