



Appearance	
Sectional area	30*15mm
NO.of beams	6~32
Protection height	50~1240mm
Protection distance	0.3~3m
Beam pitch	20~40mm
Min. sized detectable objects	> $\phi 28/\phi 48$ mm, opaque
Supply voltage	24V DC $\pm$ 10%
Current consumption	<200mA
Power consumption	3~8W
Output type	NPN/PNP
Synchronization type	line synchronization
Response time	$\leq$ 15ms
Light source	Infrared LED (Modulated)
Protective circuit	Reverse polarity, output short circuit protection
Ambient temperature	-10~+55°C (No condensation, no freezing)
Ambient humidity	35~85%RH
Anti-interference ability	10000Lux
Insulation resistance	Above 100M $\Omega$ , Based on 500V DC megger
Degree of protection	IP65
Material	Aluminium alloy
Connection	M12 connector
Accessories	Cable length 3m, female (Customization available)

- Fiber Optic
- Slot Sensors
- Photoelectric
- Laser
- Proximity
- Displacement
- Magnetic
- Contact
- Area**
- Ultrasonic
- Vibration
- Temperature
- Cables
- Tester

Guidance

Light curtains

- Standard type
- Top-emitting type
- Side-emitting type**
- Waterproof type
- Measuring type
- Economical type

Safety Light Curtain

- Beam pitch 10mm
- Beam pitch 20mm
- Beam pitch 30mm
- Beam pitch 40mm

LIDAR scanner

- TOF LIDAR scanner
- MINI LIDAR scanner
- Navigation LIDAR

### BCL20

Beam pitch	20mm							
Min. sized detectable objects	> $\phi 28$ , opaque							
Protection distance	0.3~3m							
NO.of beams	6	8	10	12	14	... ..	32	
Protection height	100mm	140mm	180mm	220mm	260mm	...	620mm	
Light curtain height	159mm	199mm	239mm	279mm	319mm	...	679mm	
Model NO.	NPN NC	<b>BCL20-T0603NC</b>	<b>BCL20-T0803NC</b>	<b>BCL20-T1003NC</b>	<b>BCL20-T1203NC</b>	<b>BCL20-T1403NC</b>	... ..	<b>BCL20-T3203NC</b>
	PNP NC	<b>BCL20-T0603PC</b>	<b>BCL20-T0803PC</b>	<b>BCL20-T1003PC</b>	<b>BCL20-T1203PC</b>	<b>BCL20-T1403PC</b>	... ..	<b>BCL20-T3203PC</b>

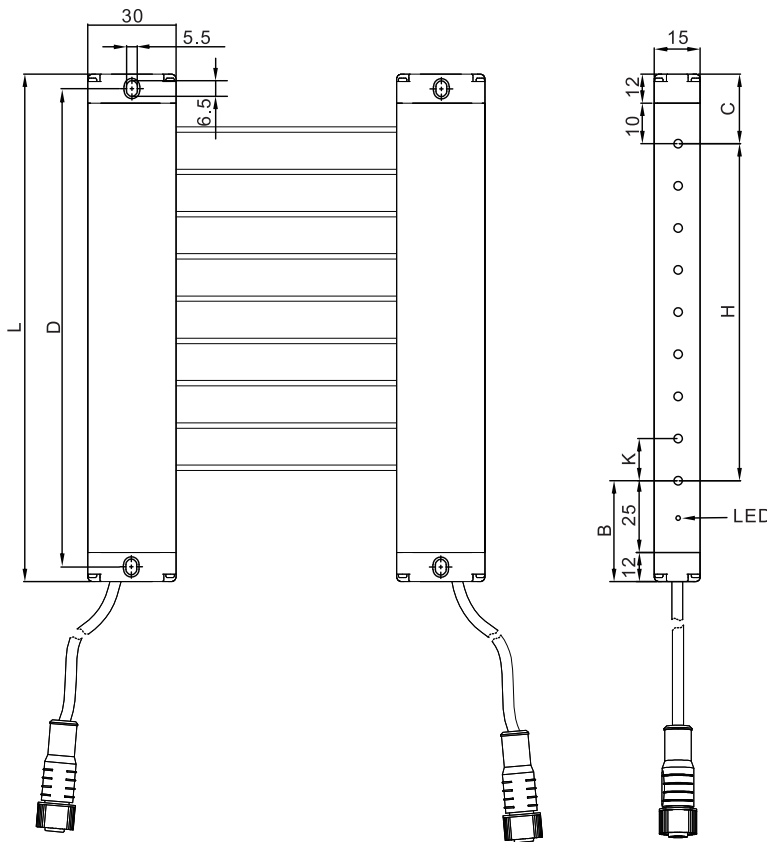
### BCL40

Beam pitch	40mm							
Min. sized detectable objects	> $\phi 48$ , opaque							
Protection distance	0.3~3m							
NO.of beams	4	6	8	10	12	...	32	
Protection height	120mm	200mm	280mm	360mm	440mm	...	1240mm	
Light curtain height	172.5mm	252.5mm	332.5mm	412.5mm	492.5mm	...	1292.5mm	
Model NO.	NPN NC	<b>BCL40-T0403NC</b>	<b>BCL40-T0603NC</b>	<b>BCL40-T0803NC</b>	<b>BCL40-T1003NC</b>	<b>BCL40-T1203NC</b>	... ..	<b>BCL40-T3203NC</b>
	PNP NC	<b>BCL40-T0403PC</b>	<b>BCL40-T0603PC</b>	<b>BCL40-T0803PC</b>	<b>BCL40-T1003PC</b>	<b>BCL40-T1203PC</b>	... ..	<b>BCL40-T3203PC</b>

# Side-emitting Type

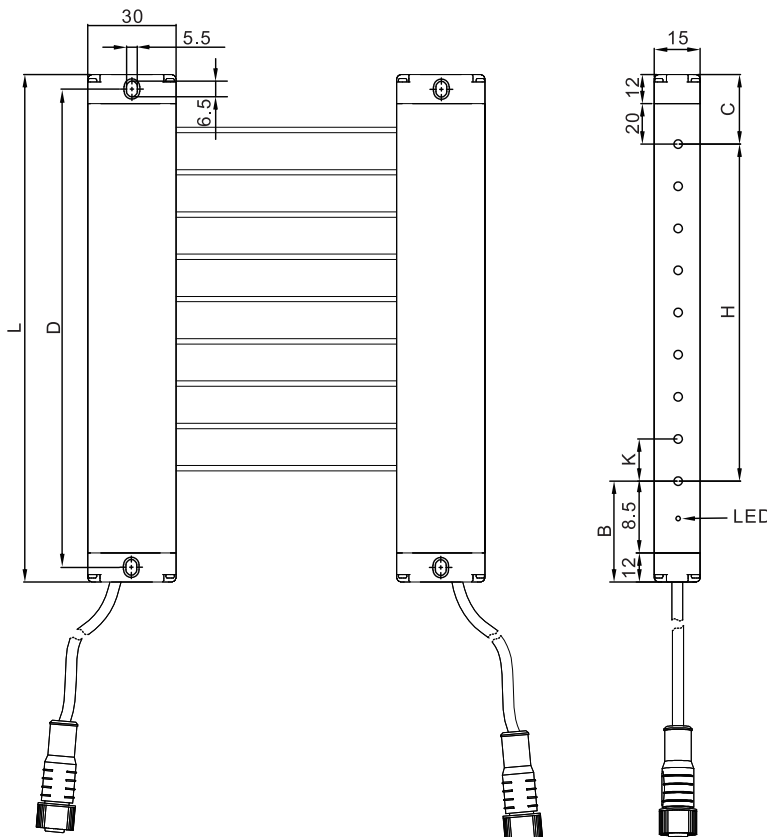
## Dimensions(Unit:mm)

### BCL20



H: Protection Height= ( N-1 ) K  
 L: Light curtain total height=H+59  
 N: No. of beams  
 K: Beam pitch=20  
 B: Lower blind height=37  
 C: Upper blind height=22  
 D: Mounting hole spacing= ( L-11 )

### BCL40



H: Protection Height= ( N-1 ) K  
 L: Light curtain total height=H+52.5  
 N: No. of beams  
 K: Beam pitch=40  
 B: Lower blind height=20.5  
 C: Upper blind height=32  
 D: Mounting hole spacing= ( L-11 )

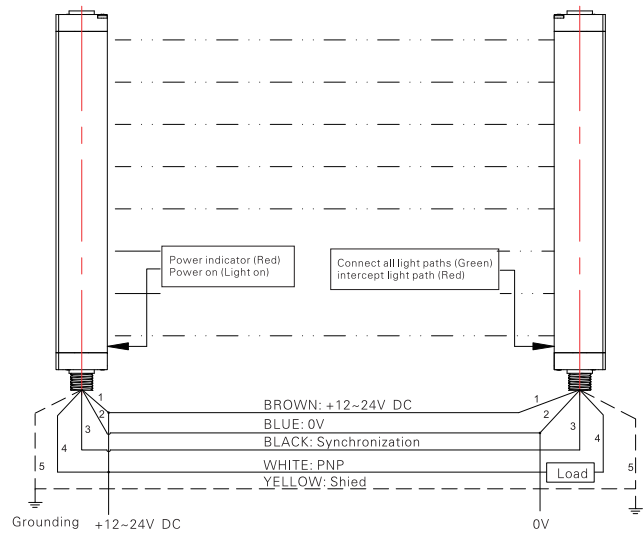
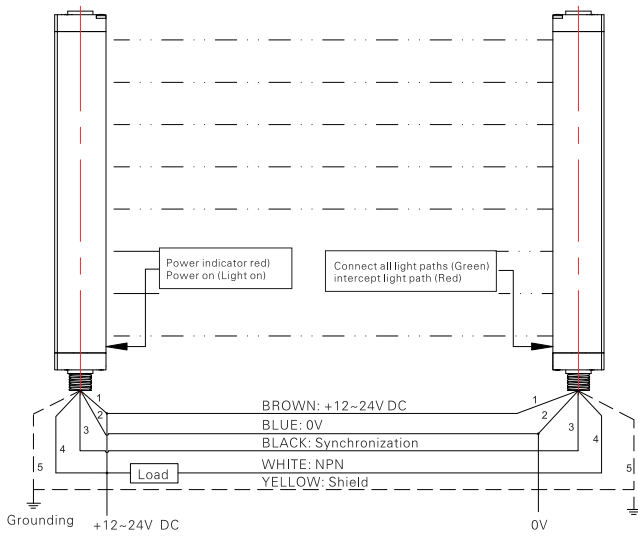
- Fiber Optic
- Slot Sensors
- Photoelectric
- Laser
- Proximity
- Displacement
- Magnetic
- Contact
- Area
- Ultrasonic
- Vibration
- Temperature
- Cables
- Tester

Guidance

- Light curtains
  - Standard type
  - Top-emitting type
  - Side-emitting type
  - Waterproof type
  - Measuring type
  - Economical type
- Safety Light Curtain
  - Beam pitch 10mm
  - Beam pitch 20mm
  - Beam pitch 30mm
  - Beam pitch 40mm
- LiDAR scanner
  - TOF LiDAR scanner
  - MINI LiDAR scanner
  - Navigation LiDAR

### NPN

### PNP



- Fiber Optic
- Slot Sensors
- Photoelectric
- Laser
- Proximity
- Displacement
- Magnetic
- Contact
- Area
- Ultrasonic
- Vibration
- Temperature
- Cables
- Tester

#### Guidance

#### Light curtains

- Standard type
- Top-emitting type
- Side-emitting type
- Waterproof type
- Measuring type
- Economical type

#### Safety Light Curtain

- Beam pitch 10mm
- Beam pitch 20mm
- Beam pitch 30mm
- Beam pitch 40mm

#### LIDAR scanner

- TOF LIDAR scanner
- MINI LIDAR scanner
- Navigation LIDAR