

Appearance	
Sectional area	36*36mm
NO.of beams	4~1000
Protection height	60~1240mm
Protection distance	0.3~3m
Beam pitch	2.5/5/10/20/40mm
Min. sized detectable objects	φ 3.75/φ 6.5/φ 15/φ 25/φ 45mm, opaque
Supply voltage	24V DC±10%
Current consumption	<200mA
Power consumption	3~8W
Output type	4~20mA/1~5V
Synchronization type	line synchronization
Response time	≤15ms
Light source	Infrared LED (Modulated)
Protective circuit	Reverse polarity, output short circuit protection
Ambient temperature	-10~+55°C (No condensation, no freezing)
Ambient humidity	35~85% RH
Anti-interference ability	10000Lux
Insulation resistance	Above 100MΩ (DC 500V megger)
Degree of protection	IP65
Material	Aluminium alloy
Connection	M12 connector
Accessories	Cable length 3m, female (Customization available)

- Fiber Optic
- Slot Sensors
- Photoelectric
- Laser
- Proximity
- Displacement
- Magnetic
- Contact
- Area**
- Ultrasonic
- Vibration
- Temperature
- Cables
- Tester

Guidance

Light curtains

- Standard type
- Top-emitting type
- Side-emitting type
- Waterproof type

Measuring type

- Economical type

Safety Light Curtain

- Beam pitch 10mm
- Beam pitch 20mm
- Beam pitch 30mm
- Beam pitch 40mm

LIDAR scanner

- TOF LIDAR scanner
- MINI LIDAR scanner
- Navigation LIDAR

BAL02

Beam pitch	2.5mm							
Min. sized detectable objects	> φ 3.75, opaque							
Protection distance	0.3~3m							
NO.of beams	32	64	96	128	160	448	
Protection height	77.5mm	157.5mm	237.5mm	317.5mm	397.5mm	1117.5mm	
Light curtain height	136.5mm	216.5mm	296.5mm	376.5mm	456.5mm	1176.5mm	
Model NO.	Voltage output	BAL02-T3203V	BAL02-T6403V	BAL02-T9603V	BAL02-T12803V	BAL02-T16003V	BAL02-T44803V
	Current output	BAL02-T3203A	BAL02-T6403A	BAL02-T9603A	BAL02-T12803A	BAL02-T16003A	BAL02-T44803A

BAL05

Beam pitch	5mm							
Min. sized detectable objects	> φ 6.5, opaque							
Protection distance	0.3~3m							
NO.of beams	16	24	32	40	48	120	
Protection height	75mm	115mm	155mm	195mm	235mm	595mm	
Light curtain height	136.5mm	176.5mm	216.5mm	256.5mm	296.5mm	656.5mm	
Model NO.	Voltage output	BAL05-T1603V	BAL05-T2403V	BAL05-T3203V	BAL05-T4003V	BAL05-T4803V	BAL05-T12003V
	Current output	BAL05-T1603A	BAL05-T2403A	BAL05-T3203A	BAL05-T4003A	BAL05-T4803A	BAL05-T12003A

BAL10

Beam pitch	10mm						
Min. sized detectable objects	> ϕ 15, opaque						
Protection distance	0.3~3m						
NO.of beams	8	10	12	14	16	1000
Protection height	70mm	90mm	110mm	130mm	150mm	9990mm
Light curtain height	136.5mm	156.5mm	176.5mm	196.5mm	216.5mm	10056.5mm
Model NO.	Voltage output BAL10-T0803V	BAL10-T1003V	BAL10-T1203V	BAL10-T1403V	BAL10-T1603V	BAL10-T100003V
	Current output BAL10-T0803A	BAL10-T1003A	BAL10-T1203A	BAL10-T1403A	BAL10-T1603A	BAL10-T100003A

BAL20

Beam pitch	20mm						
Min. sized detectable objects	> ϕ 25, opaque						
Protection distance	0.3~3m						
NO.of beams	4	6	8	10	12	1000
Protection height	60mm	100mm	140mm	180mm	220mm	19980mm
Light curtain height	136.5mm	176.5mm	216.5mm	256.5mm	296.5mm	20056.5mm
Model NO.	Voltage output BAL20-T0403V	BAL20-T0603V	BAL20-T0803V	BAL20-T1003V	BAL20-T1203V	BAL20-T100003V
	Current output BAL20-T0403A	BAL20-T0603A	BAL20-T0803A	BAL20-T1003A	BAL20-T1203A	BAL20-T100003A

BAL40

Beam pitch	40mm						
Min. sized detectable objects	> ϕ 45, opaque						
Protection distance	0.3~3m						
NO.of beams	4	6	8	10	12	1000
Protection height	120mm	200mm	280mm	360mm	440mm	39960mm
Light curtain height	196.5mm	276.5mm	356.5mm	436.5mm	516.5mm	40036.5mm
Model NO.	Voltage output BAL40-T0403V	BAL40-T0603V	BAL40-T0803V	BAL40-T1003V	BAL40-T1203V	BAL40-T100003V
	Current output BAL40-T0403A	BAL40-T0603A	BAL40-T0803A	BAL40-T1003A	BAL40-T1203A	BAL40-T100003A

Fiber Optic

Slot Sensors

Photoelectric

Laser

Proximity

Displacement

Magnetic

Contact

Area

Ultrasonic

Vibration

Temperature

Cables

Tester

Guidance

Light curtains

Standard type

Top-emitting type

Side-emitting type

Waterproof type

Measuring type

Economical type

Safety Light Curtain

Beam pitch 10mm

Beam pitch 20mm

Beam pitch 30mm

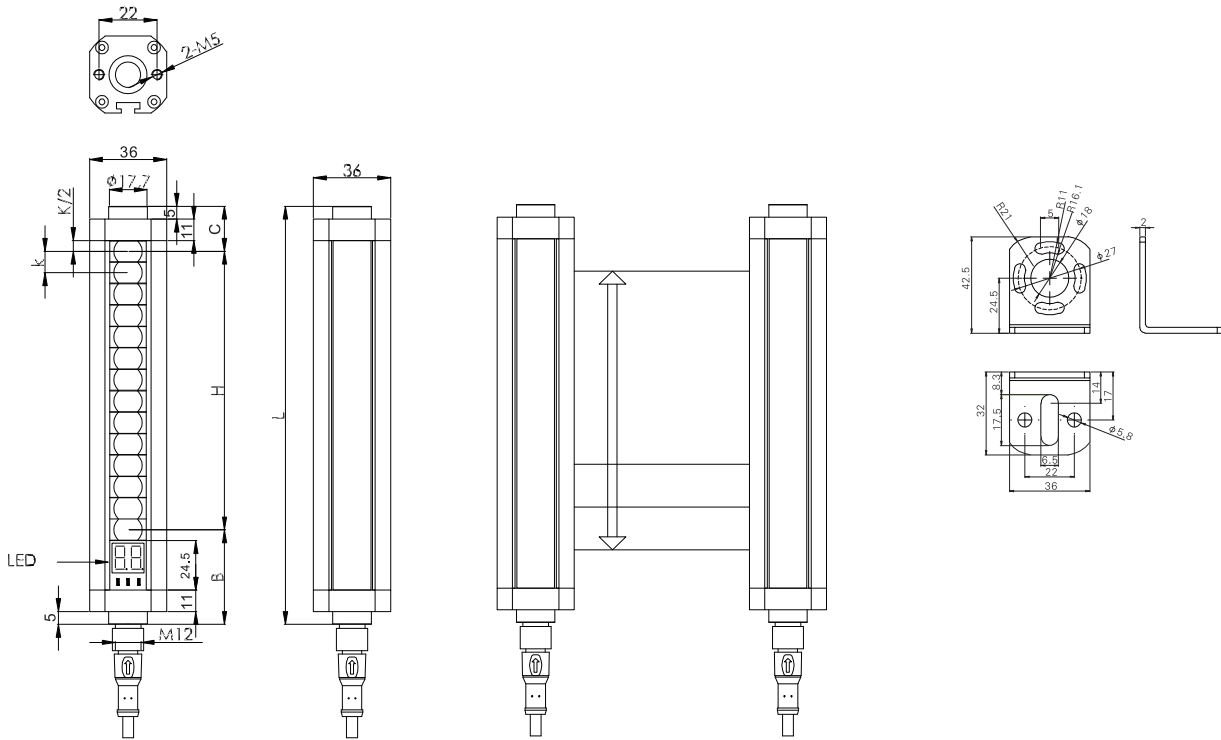
Beam pitch 40mm

LiDAR scanner

TOF LiDAR scanner

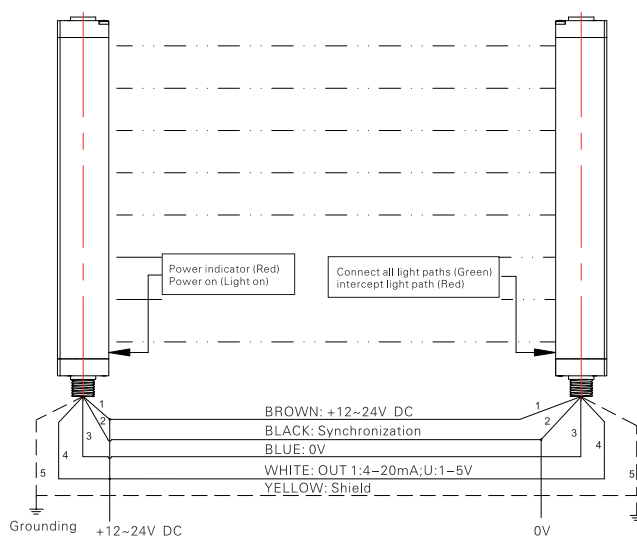
MINI LiDAR scanner

Navigation LiDAR



H: Protection Height= (N-1) K
 L: Light curtain total height=B+H+C
 N: No. of beams
 K: Beam pitch
 B: Lower blind height=K/2+40.5 (K=40, B=50.5)
 C: Upper blind height=K/2+16 (K=40, C=26)
 D: Mounting hole(M5) spacing=22

Connection Diagram



- Fiber Optic
- Slot Sensors
- Photoelectric
- Laser
- Proximity
- Displacement
- Magnetic
- Contact
- Area**
- Ultrasonic
- Vibration
- Temperature
- Cables
- Tester

Guidance

- Light curtains
- Standard type
- Top-emitting type
- Side-emitting type
- Waterproof type
- Measuring type**
- Economical type
- Safety Light Curtain
- Beam pitch 10mm
- Beam pitch 20mm
- Beam pitch 30mm
- Beam pitch 40mm
- LIDAR scanner
- TOF LIDAR scanner
- MINI LIDAR scanner
- Navigation LIDAR